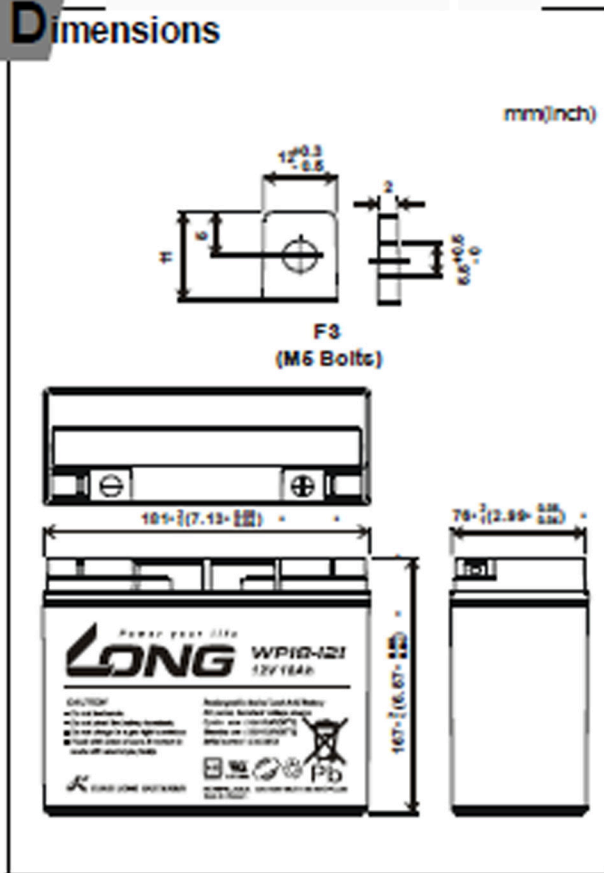




Dimensions



WP18-12I

Specifications

Nominal Voltage (V) 12V

Nominal Capacity

20hour rate (0.9A)	to	10.50V)	18Ah
10hour rate (1.8A)	to	10.50V)	17.1Ah
5hour rate (3.06A)	to	10.20V)	15.3Ah
1C (18A)	to	9.60V)	8.1Ah
3C (54A)	to	9.60V)	6.3Ah

Weight Approx.6.308kg(13.87Lbs.)

Internal Resistance (at 1KHz) 10 mΩ

Maximum Discharge Current for 5 seconds : 327A

Operating Temperature Range

Charge	0°C(32°F) to	40°C (104°F)
Discharge	-15°C(5°F) to	50°C (122°F)
Storage	-15°C(5°F) to	40°C (104°F)

Charge Retention (shelf life) at 20°C (68°F)

1 month	92%
3 month	90%
6 month	80%

Charging Methods at 20°C (68°F)

Cycle use:

Charging Voltage 14.4 to 15.0V
Maximum Charging Current : 5.4A

Standby use :

Float Charging Voltage 13.50 to 13.80V

Life expectancy :

Cycle Use :

100% depth of discharge 200 cycles
80% depth of discharge 225 cycles
50% depth of discharge 500 cycles

Standby Use : 3~5years

Case Material

ABS
(Option : 94-HB & 94V-0 flame retardant case)

Terminal

F3

